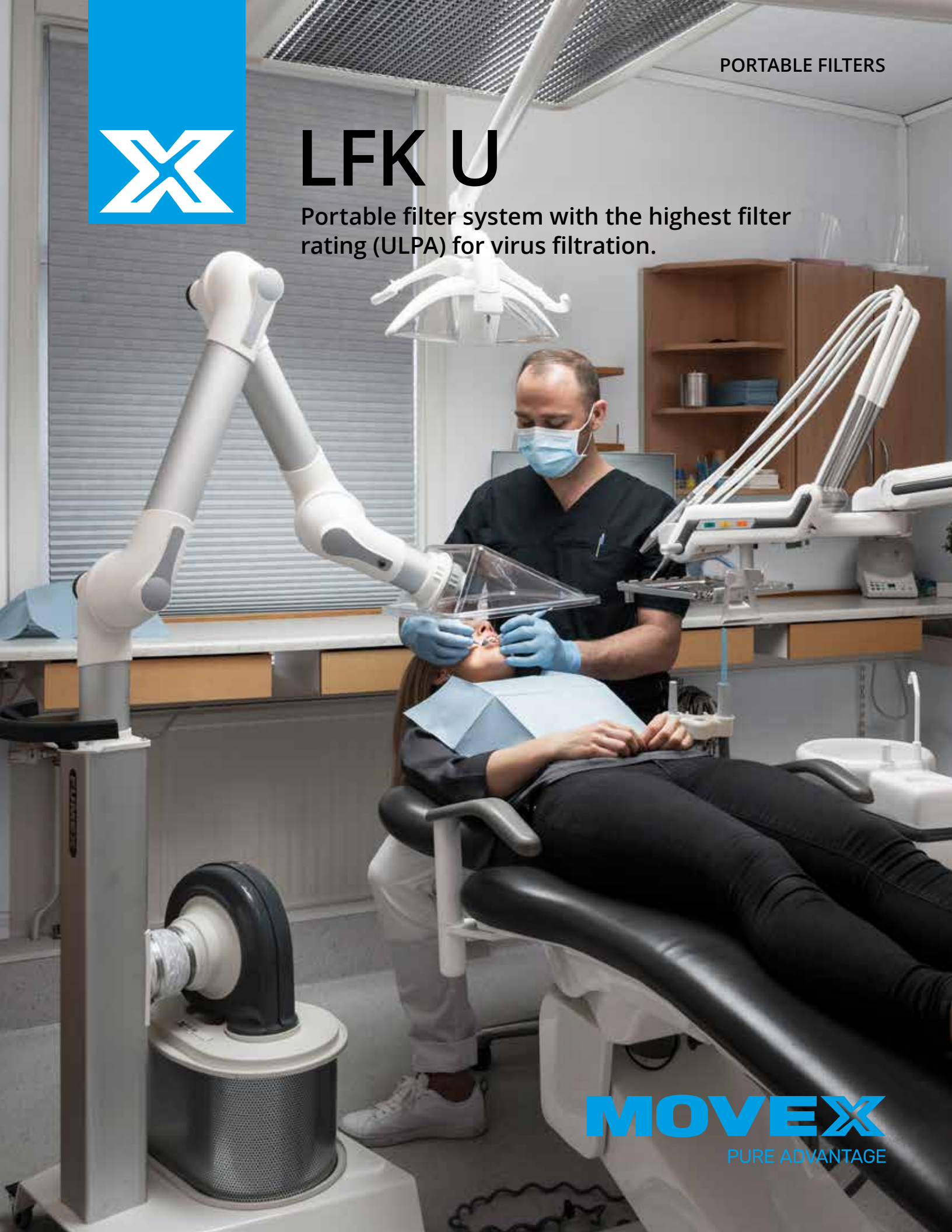


PORTABLE FILTERS



# LFK U

Portable filter system with the highest filter rating (ULPA) for virus filtration.



**MOVEX**  
PURE ADVANTAGE

MOVEX **LFK U**

**LFK U**

- Filter FPU 50
- Fan FF 100
- Hose SL-100LF
- Flexible table bracket MBF
- Extractor arm MEB 1300-50/75
- Suction Nozzle MES 300-50/75

**LFK U on LF TR**

- Filter FPU 50
- Fan FF 100
- Hose SL-100LF
- Portable Trolley LF TR
- Extractor arm MEB 1300-50/75
- Suction Nozzle MES 300-50/75



Portable filter system for environments where protection against viruses is essential, e.g. dental clinics, healthcare facilities and laboratories.

**FUMEX LFK U** is an effective and flexible solution consisting of a fan, filter and fume extractor in a single unit. It is highly suitable for use in healthcare environments where exhaled air, which could potentially contain viruses or residues from inhaled medicines, can be problematic.

Fumex LFK U is available in two versions: **LFK 150U** with a Ø2" extractor arm, and **LFK 175U** with a Ø3" extractor arm. LFK U works according to the low-vacuum principle, which entails a very low risk of filter failure, produces little noise and has low power requirements.

For maximum efficiency, Fumex LFK U is equipped with a highly efficient filter (ULPA 15 rating), an optimised fan with a highly efficient EC motor with speed control and a

flexible ME extractor arm, which features the lowest pressure drop on the market.

Among the accessories is the **LF TR**, a portable trolley on lockable wheels with bracket for the ME extractor arm. **LF TR** is compact and easily blends into the work environment.

The fan and filter can be combined with other extractors available in Fumex range of products.

## Virus filtration

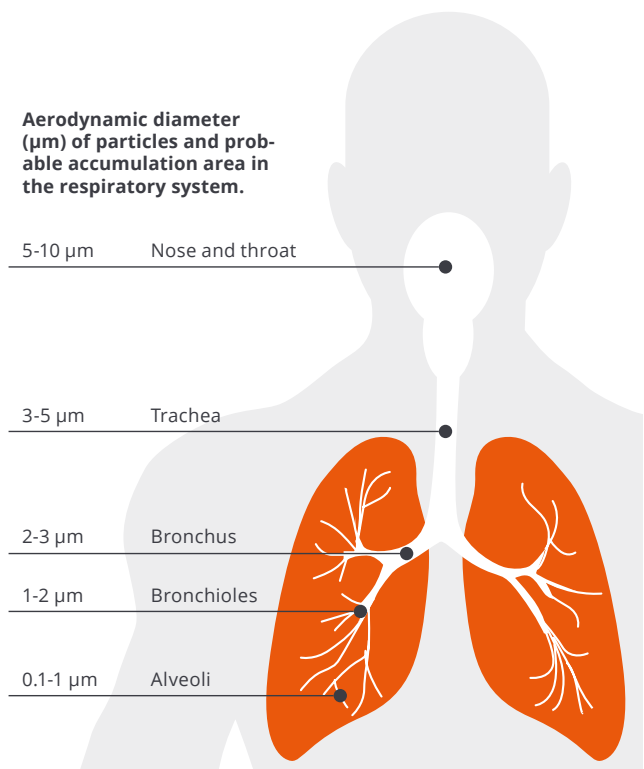
Viruses in dry form have a size of 0.08-0.12 µm but are usually bound to an aerosol and are therefore almost always larger. A ULPA filter is very good at filtering these particles.

Fumex LFK U has an ULPA filter (FPU 50) as standard. The filter is rated ULPA 15 and tested in accordance with EN 1822-1 and has a separation efficiency >99.9995%.

The filter is tested using the MPPS (Most Penetrating Particle Size) method with a size of 0.17 µm, which is the most difficult size for a filter to capture. For smaller or larger particles, the filter has higher separation efficiency.

The filter test is carried out at flow of 60 cfm per 11 ft<sup>2</sup> filter area. At higher flows per ft<sup>2</sup>, the filter efficiency is reduced. Fumex FPU 50 has a filter area of 54 ft<sup>2</sup> and can thus tolerate a flow of up to 295 cfm without diminished separation efficiency.

The FPU 50 filter should be replaced once a year.



## Accessories



### MOBILE TROLLEY LF TR

Mobile trolley for LFK U with lockable swivel wheels and mount for ME extractor arm.

Art. no: LF TR  
Dimensions (HxWxD): 37x30x24"  
Weight: 34 lb



### EXHAUST AIR ADAPTER

Art. no: LF VTA  
Ø5" exhaust air duct connector. Cannot be combined with LF TR.



### FLEXIBLE SUCTION NOZZLE

Art. no:  
MEFS 600-50 (Ø2")  
MEFS 600-75 (Ø3")  
Length: 24"



### SQUARE HOOD

Art. no:  
MESH 350-50 (Ø2")  
MESH 350-75 (Ø3")  
Dimensions: 12x14"



### FLAT SCREEN HOOD

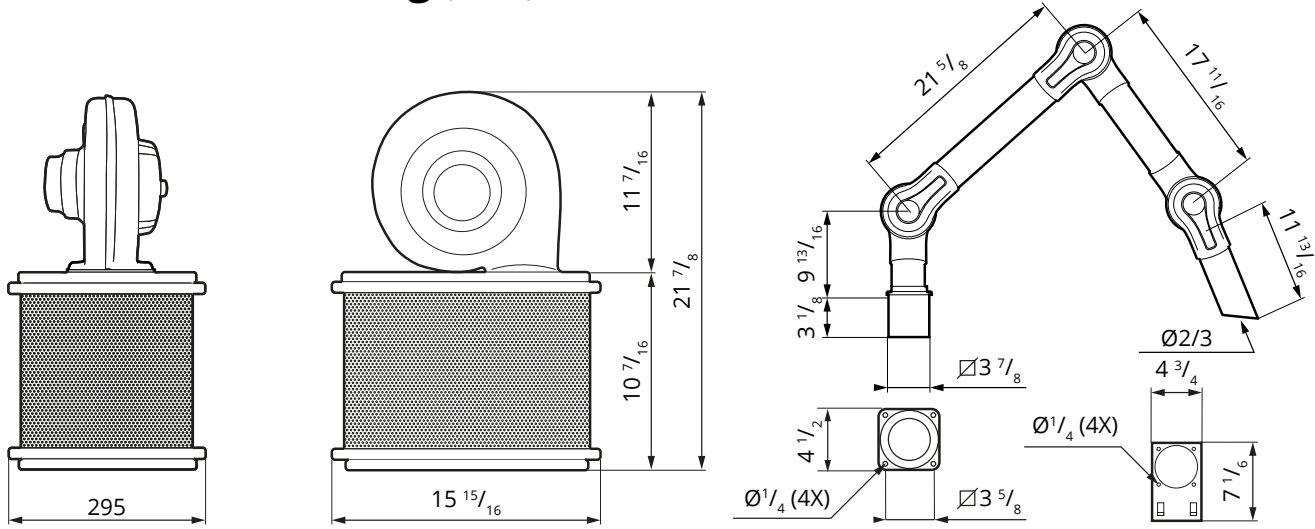
Art. no:  
MEPH 300-50 (Ø2")  
MEPH 300-75 (Ø3")  
Dimensions: 12x8"



### DOME HOOD

Art. no:  
MEK 350-50 (Ø2")  
MEK 350-75 (Ø3")  
Dimension: Ø14"

## Dimensional drawing (inch)



## Specifications

### Form of delivery

The complete kit for easy installation contains:

- Fan FF 100
- Filter FPU 50
- Hose SL-100LF, 10 ft
- Table mount MBF

including:

- LFK 150U**
  - Extractor arm MEB 1300-50
  - Suction Nozzle MES 300-50
- LFK 175U**
  - Extractor arm MEB 1300-75
  - Suction Nozzle MES 300-75

### Surface finishing

Sheet metal parts Powder coated, galvanised  
Aluminum parts Anodized

### Filter

Particle filter designed to meet the highest filtration requirements (ULPA 15 rating), tested in accordance with EN 1822-1 with separation efficiency >99.9995% MPPS.

### Hose type

PVC-coated polyamide fabric with fully embedded spring steel coil. Temperature range 14 °F to 194 °F.

### Fan

Fan housing in ABS plastic. EC motor with variable speed control.

Article	Voltage	Rated current (A)	Power	Frequency
FF 100-115V	100-130V	2,1 A	0,2 hp	50-60 Hz

Sound level	60 dB(A)
Max temperature	122 °F

### Recommended air flow:

LFK 150U:	44 cfm
LFK 175U:	88 cfm

### Weight

LFK 150U	26 lb
LFK 175U	28 lb